



PHANTOM 65

Product Information Pack
v.1

Contents	1
Introduction	2
General Arrangements	3
Exterior Design	4
Sportbridge	7
Interior Design	8
Interior Details	9



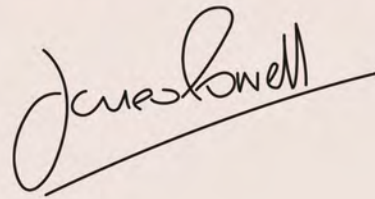
The Phantom name first became synonymous with the Fairline brand in 1974 with the launch of the Fairline Phantom 32.

The innovative layout provided six berths in three cabins and a raised helm deck with a sunbed above the accommodation.....all in a hull length of just 32 feet!

With 49 boats built over a period spanning nine years, the Phantom 32 was the forerunner to the current sportbridge yachts available in today's market.

A further 12 models carried the Phantom marque with production numbers of 1155 when the last Phantom model, the 48 was built in 2010.

It seemed fitting that the launch of Fairline's newest sportbridge should carry the Phantom name and revive memories of iconic Fairline models of the past.



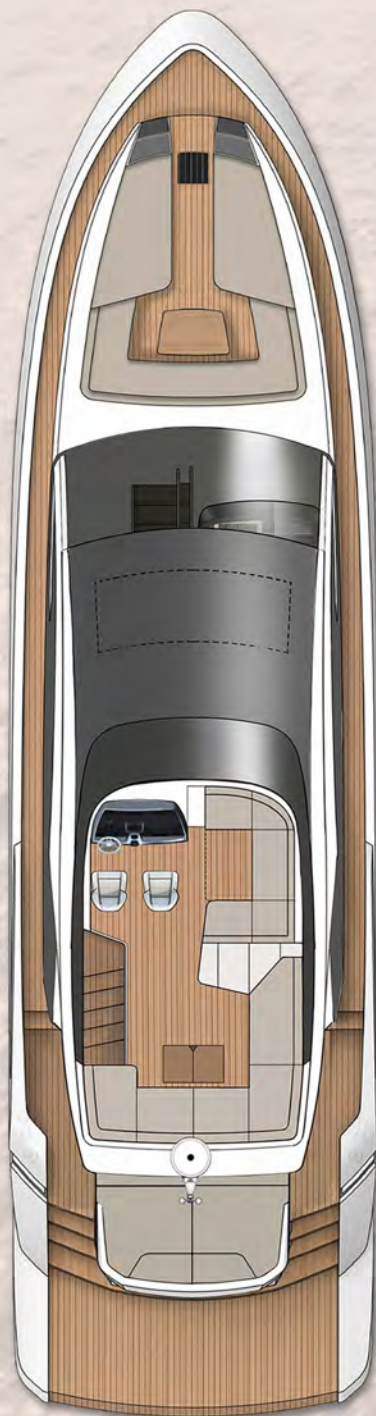
James Powell
Sales Director
Fairline Yachts



Phantom 32 (1974-1983)



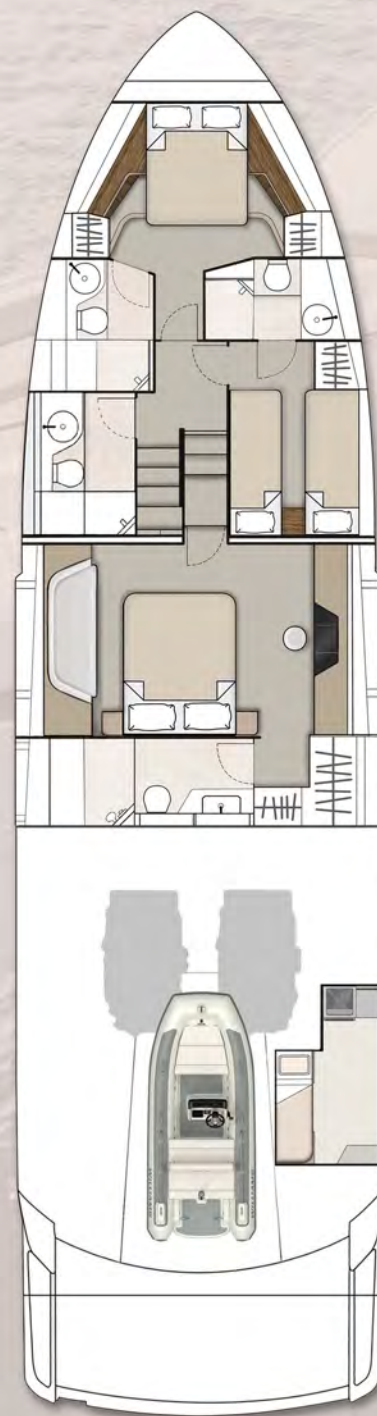
GENERAL ARRANGEMENTS



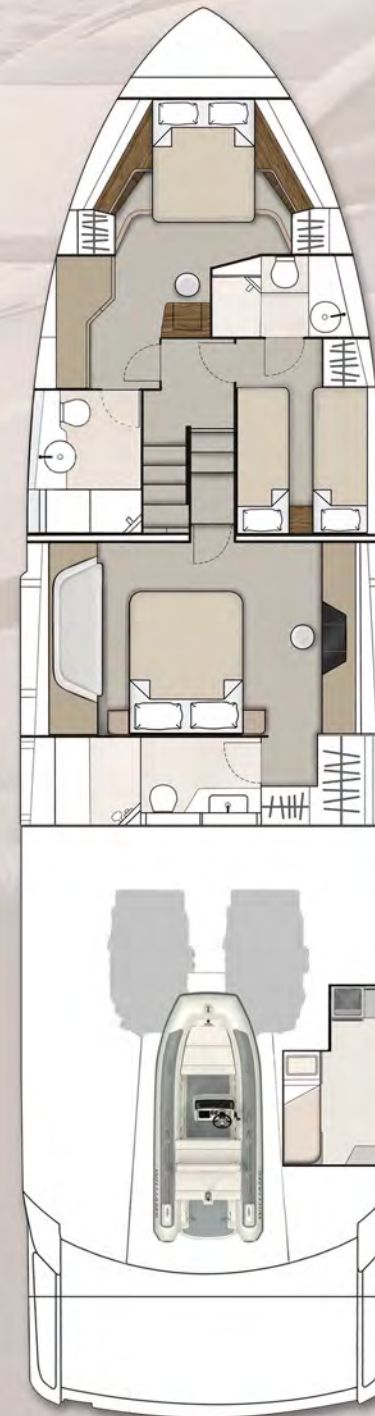
Sportbridge



Main Deck



3 Cabin with Day Head



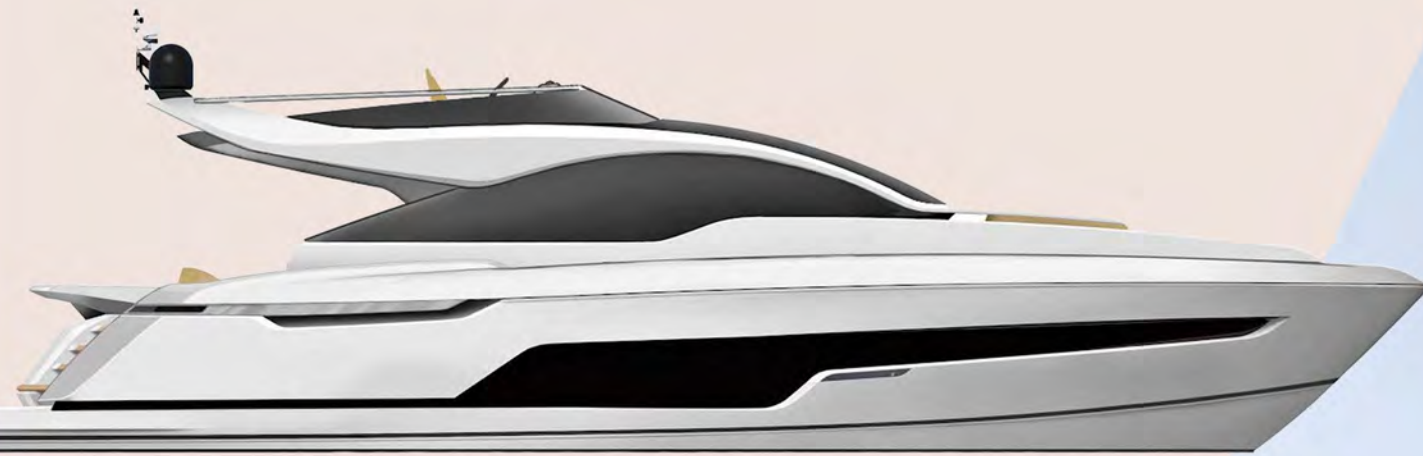
3 Cabin with Extended VIP (option)



3 Cabin with Utility (option)



4 Cabin (option)



As a sportbridge, it was critical to find the balance between the volume of a Squadron and the streamlined proportions of a Targa.

The styling for this yacht needed a dynamic grace, to reduce the number of lines of surfaces to achieve a clean, unfussy form, to create elegance without gimmicks.

From the seating on the foredeck to the tail of the flybridge mast, one continuous sculpted surface binds the saloon glazing below to the large electric opening hardtop above, while discreetly cradling a spacious and practical sportbridge.

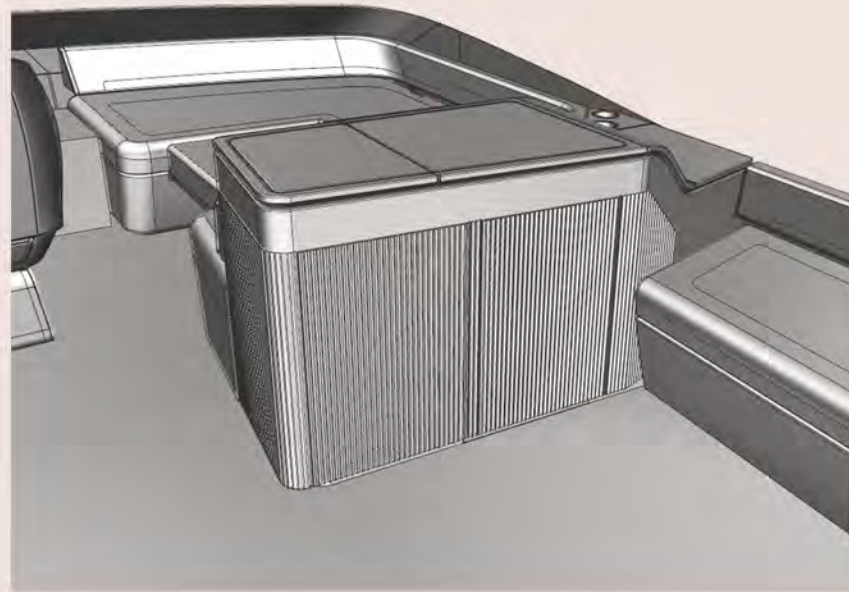
- Andrew Pope



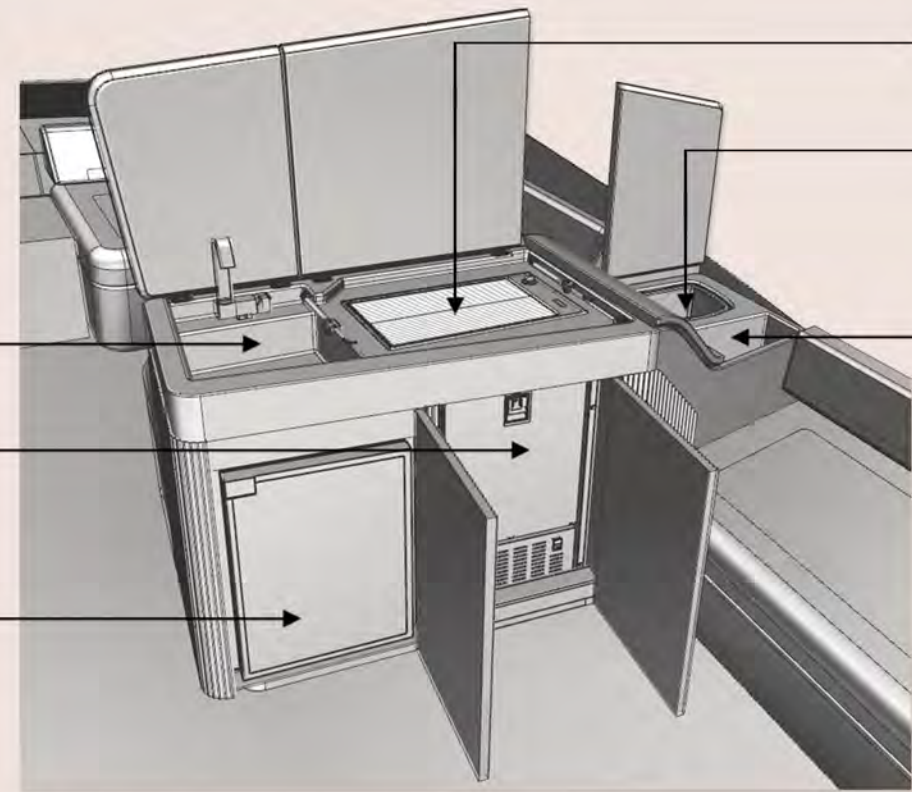




Wet Bar:

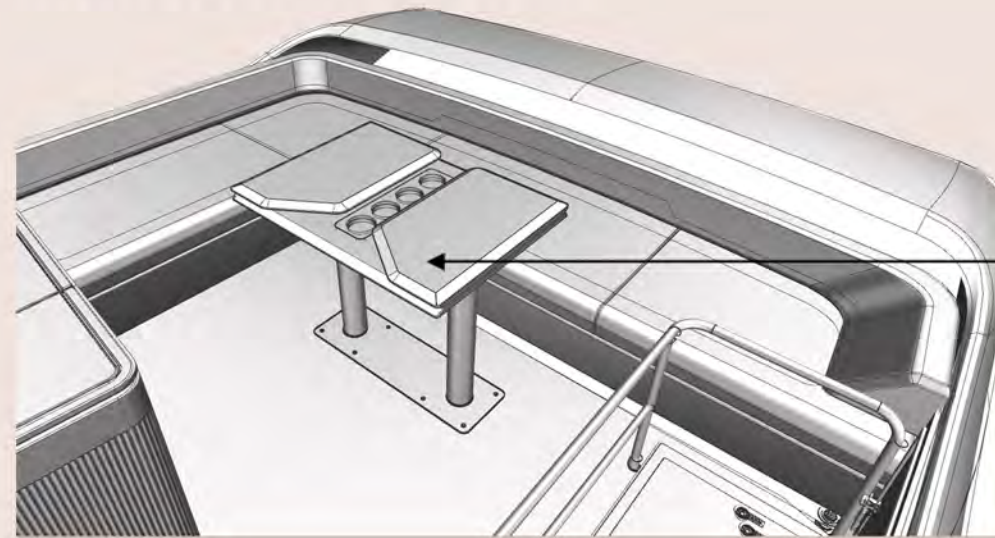


- Sink with fold down tap
- Icemaker (option)
- Fridge

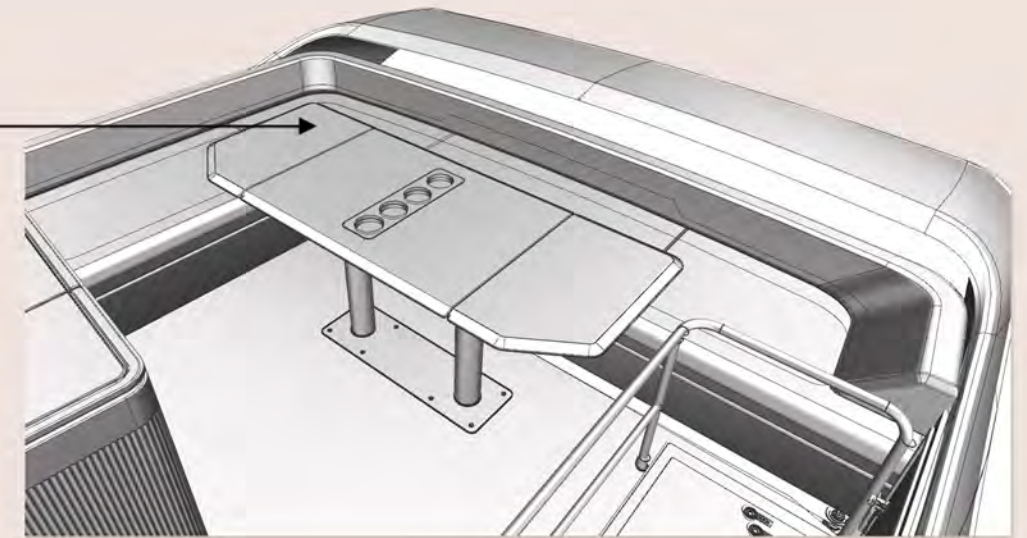


- Griddle (option)
- Bin
- Storage

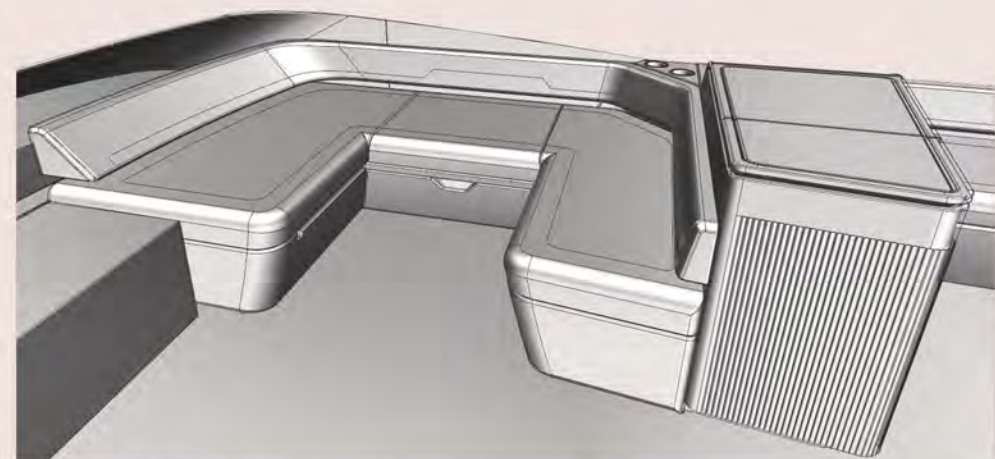
Aft Seating & Teak Dining Table:



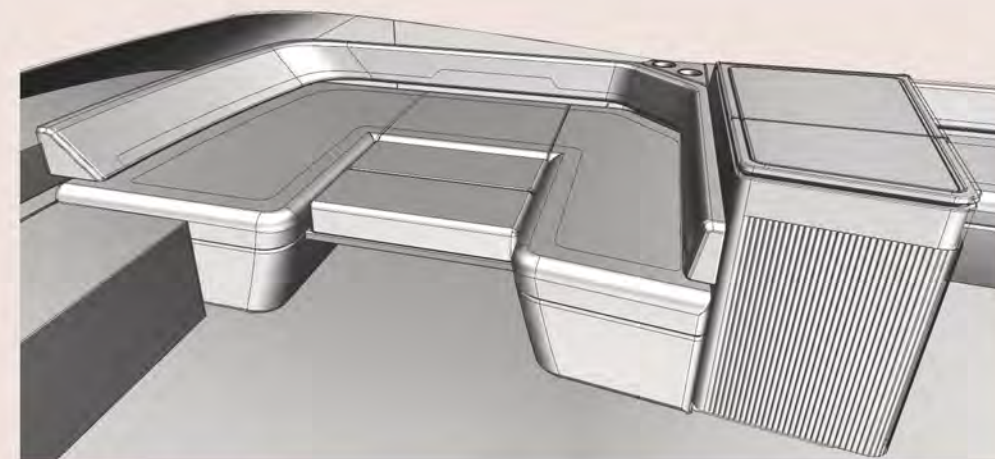
- Hinged table in open 'dining' position.
- Table in closed position. Central SolidSurface® drinks holders.



Forward Seating:



- 'U' shaped seating



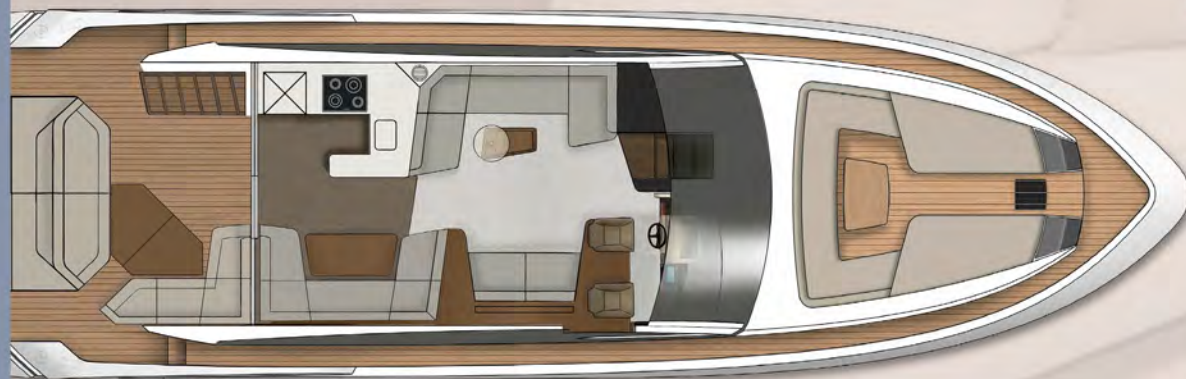
- Sunbed conversion

The Phantom 65 interior design language flows from the Squadron 68.

A sophisticated timeless space, full of luxury and craftsmanship; maximising the amount of seating while improving the feeling of space and light.

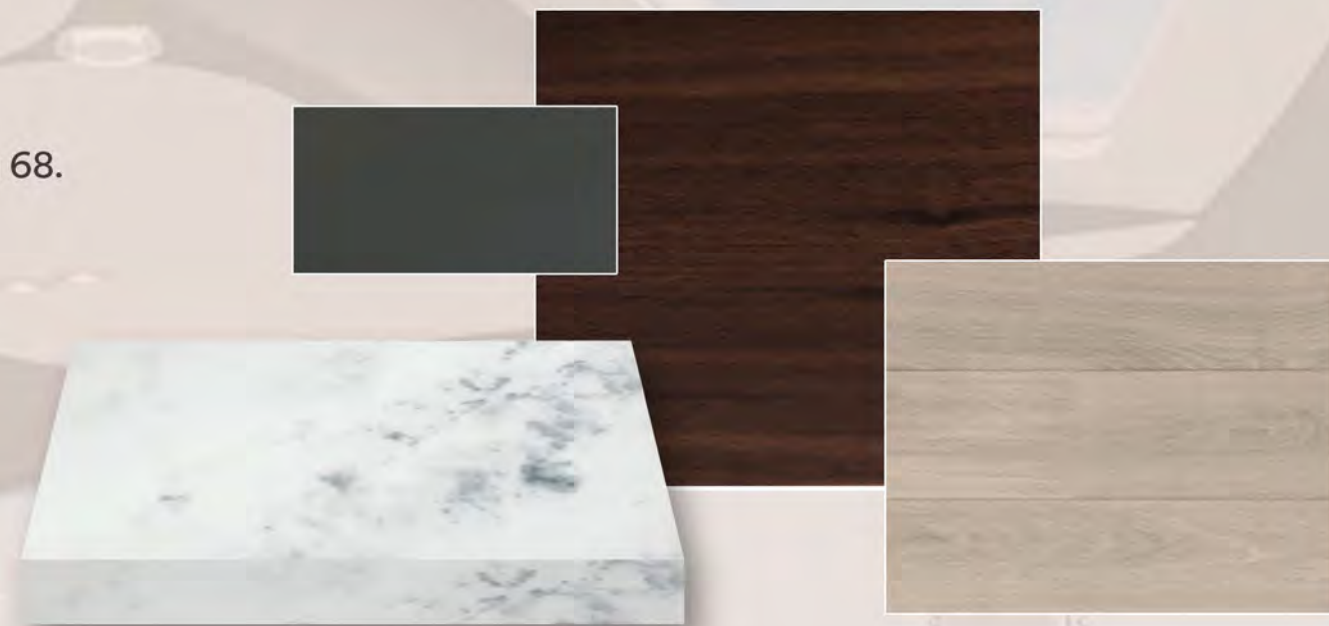
This is achieved by creating integration, to not only how the furniture is styled, but also how it interacts with furniture next to or opposite it.

This can best be seen where the dinette and saloon sofa shapes sweep into each other, the galley is then nestled into this shape, which in turn provides more worksurface and storage. The flow of the galley continues outside where the bar beneath the stairs echoes the same geometry and styling, visually extending the saloon into the cockpit.



Softer deeper sections to the interior and exterior seating further improves comfort while softening and smoothing the aesthetic.

At its core, the design of the Phantom 65 is about flow, effortlessly blending forms and spaces together to create a harmonious expansive place to relax.



Utility:



Electric Sliding Beds to Starboard Guest Cabin:



- Twin beds



- Bed slides outboard to make it into a double



















 FAIRLINE

fairline.com